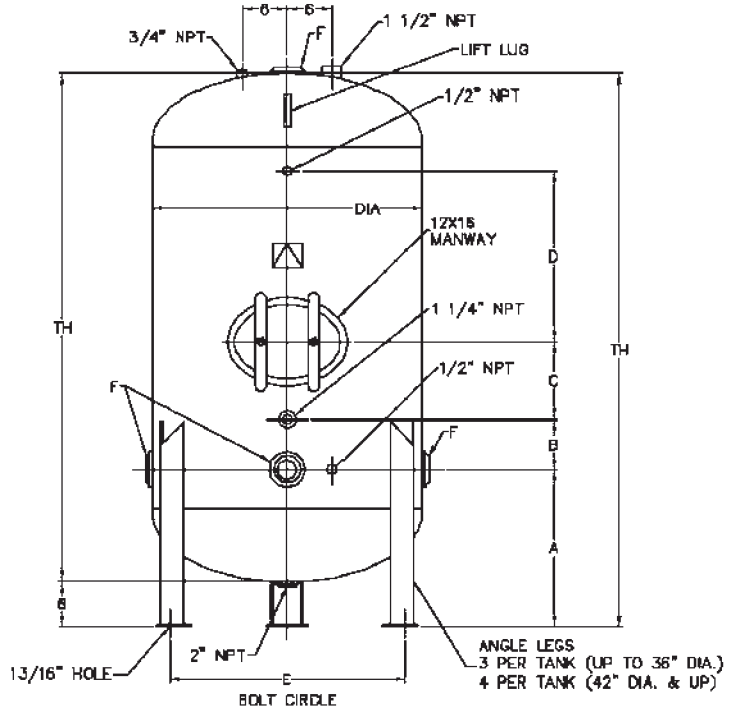




Epoxy Lined Water Storage Tanks



Description: Vertical Epoxy Lined Water Storage Tanks for Potable Water Storage

Specifications: Built to ASME Code Section VIII, U-Stamped National Board Certification

Customer: _____ **Material Type:** _____

Project#: _____ **Design Pressure:** _____ **Design Temperature:** _____

Exterior Paint: _____

PART #	DESCRIPTION				DIMENSIONS (INCHES)					OPENINGS	WT. (LBS)
	GALLONS	DIA	TL	TH	A	B	C	D	E	F	
ES-140*	140	24	75	81	16 7/8	10	16 5/8	28 1/8	24	2 1/2 NPT	351
ES-190	190	30	66	72	18 3/4	8	16 1/4	17 3/4	30	2 1/2 NPT	463
ES-225*	225	30	78	84	18 3/4	10	16 1/4	27 3/4	30	2 1/2 NPT	509
ES-268	268	36	68	74	21	6 11/16	16 3/8	16 7/8	36	3 NPT	812
ES-320	320	36	80	86	21	8 11/16	16 1/4	26 3/4	36	3 NPT	893
ES-388*	388	36	93	99	21 3/16	9	22 1/4	33 3/4	36	3 NPT	902
ES-375	375	42	70 3/4	76 3/4	23 3/8	6	14	18	42	3 NPT	983
ES-450	450	42	83 3/4	89 3/4	22 5/16	9 11/16	13 7/8	28	42	3 NPT	1169
ES-535*	535	42	96	102	22 7/16	9 11/16	13 7/8	41 3/8	42	3 NPT	1129

* ITEM MAY BE IN STOCK