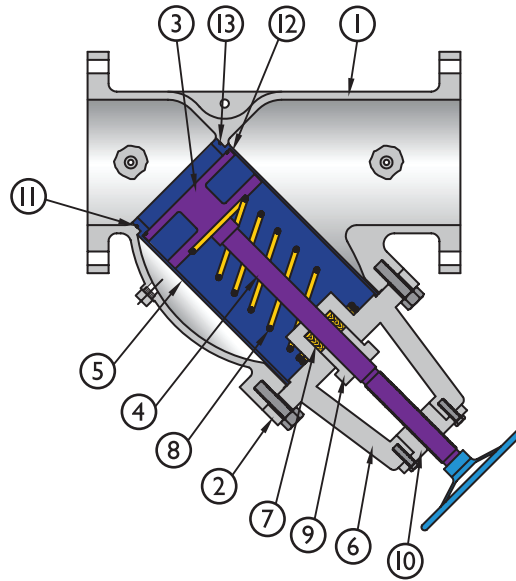




## ELBI TRIPLE DUTY VALVES ELBI MODEL ETDV



### DESIGN SPECIFICATIONS

- THREE (3) VALVES IN ONE (1). A TRIPLE DUTY VALVE REPLACES A BALANCE VALVE, SHUT-OFF VALVE AND CHECK VALVE.
- VALVES ARE COMPLETE WITH FF FLANGES IN ACCORDANCE WITH ASME B16.1.
- AUTOMATIC AND SILENT OPERATION. THE VALVE IS SPRING LOADED TO ENSURE THAT THE DISC CLOSES AS THE LINE FLOW APPROACHES ZERO THIS FEATURE PREVENTS WATER HAMMER.
- LINE PRESSURES OF APPROXIMATELY 1/4 PSI WILL OPEN THE DISC.
- FLOW THROUGH THE VALVE CAN BE ADJUSTED FROM ZERO TO FULL FLOW BY THE ACME RISING STEM.
- SOFT-SEATED DOVETAIL O-RING GROOVE ENSURES BUBBLE-TIGHT SEALING WHEN THE VALVE IS POSITIONED IN THE FULLY CLOSED POSITION.
- THE RISING STEM INCORPORATES A GRADUATED POSITION INDICATOR TO ENSURE ACCURATE DISC POSITIONING FOR THROTTLING SERVICE.
- ALL VALVES SUPPLIED WITH HAND-WHEEL FOR EASE OF OPERATION.
- DRAIN AND DIFFERENTIAL CONNECTIONS ARE FURNISHED WITH A PLUG AS STANDARD.

### PARTS LIST AND STANDARD MATERIALS

ITEM	DESCRIPTION	SPECIFICATIONS
1	VALVE BODY	A126-B CAST IRON
2	COVER FLANGE	A126-B CAST IRON
3	VALVE DISC	A536 NICKLE PLATED/BRONZE B62
4	VALVE STEM	TYPE 410 STAINLESS STEEL
5	VALVE SEAT GUIDE	A536 NICKLE PLATED DUCTILE IRON
6	FLANGE GLAND	A126-B CAST IRON
7	PACKING	NON-ASBESTOS
8	VALVE SPRING	300 SERIES STAINLESS STEEL
9	PACKING GLAND	A126-B CAST IRON
10	VALVE STEM GUIDE	A536 DUCTILE IRON
11	VALVE SEAT RING	A536 NICKLE PLATED DUCTILE IRON
12	VALVE SEAT SEAL	EPDM O-RING
13	VALVE DISC SEAT	EPDM O-RING

### PERFORMANCE DATA

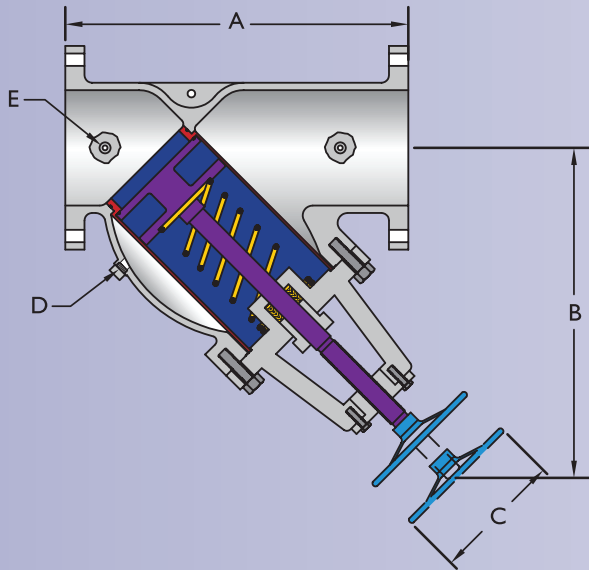
<b>SIZE</b> in/mm	2	2-1/2	3	4	5
	50	65	80	100	125
<b>CV</b>	82	128	188	334	497
<b>SIZE</b> in/mm	6	8	10	12	14
	150	200	250	300	350
<b>CV</b>	701	1079	1826	2430	3225

### NOTES

1. Values are Cv rating at 100% of stem rise.
2. Cv is defined as the volume of water that will flow through a given restriction or valve opening with a pressure drop of one (1) psi at room temperature.
3. Maximum pressure drop should not exceed 10 psid.
4. For balancing a recommended 1.5 psid of pressure drop is required for flow determination.



# ELBI TRIPLE DUTY VALVES ELBI MODEL ETDV



## UPPER PRESSURE LIMITS (NON-SHOCK)

ELBI SERIES	BODY MATERIAL	M.A.W.P. PSIG (BARS)
ETDV	Al26-B	200 (13.79) SIZES <= 12" 150 (10.34) SIZES >= 14"

**NOTE** Pressure-temperature ratings in accordance with ASME B16.1.  
Temperature limited by seal material.

## UPPER TEMPERATURE LIMITS

SEAL MATERIAL	UPPER UNITS °F (°C)
BUNA-N	212 (100)
EPDM (1)	250 (121)
VITON	400 (204)

**NOTE 1** Standard seal material is EPDM.

## LOWER TEMPERATURE LIMITS

BODY MATERIAL	UPPER UNITS °F (°C)
Al26-B	-20 (-28.9)

## ELBI MODEL ETDV TRIPLE DUTY VALVES (CLASS 125)

SIZE in/mm	A in/mm	B in/mm	C in/mm	D N.P.T. in/mm	E N.P.T. in/mm	WEIGHT Lb/Kg
2	8.38	9.63	6.25	1/2	1/4	34
50	213	244	159	15	8	15
2-1/2	9.88	10.00	6.25	1/2	1/4	40
65	251	254	159	15	8	18
3	10.00	10.13	9.38	1/2	1/4	50
80	254	257	238	15	8	23
4	14.50	12.63	9.38	1/2	1/4	100
100	368	321	238	15	8	45
5	16.00	16.38	11.00	1/2	1/4	155
125	406	416	279	15	8	70
6	18.00	17.50	11.00	3/4	1/4	200
150	457	444	279	20	8	91
8	21.50	18.50	12.50	3/4	1/4	350
200	546	470	317	20	8	159
10	25.50	21.75	12.50	1	1/4	480
250	648	552	317	25	8	218
12	30.00	24.50	12.50	1	1/4	660
300	762	622	317	25	8	300
14	30.38	29.63	12.50	1	1/4	898
350	772	753	317	25	8	408
16	35.50	32.63	12.50	1	1/4	1172
400	902	828	317	25	8	533

**NOTES** 1. Dimensions shown are subject to change. 2. Dimensions are given in full open position.