



ASME CHILL WATER BUFFER TANKS

Description:

Chill Water Buffer Tanks

Specifications:

Built to ASME Code Section VIII

National Board Registered

Carbon Steel

Gray Primer

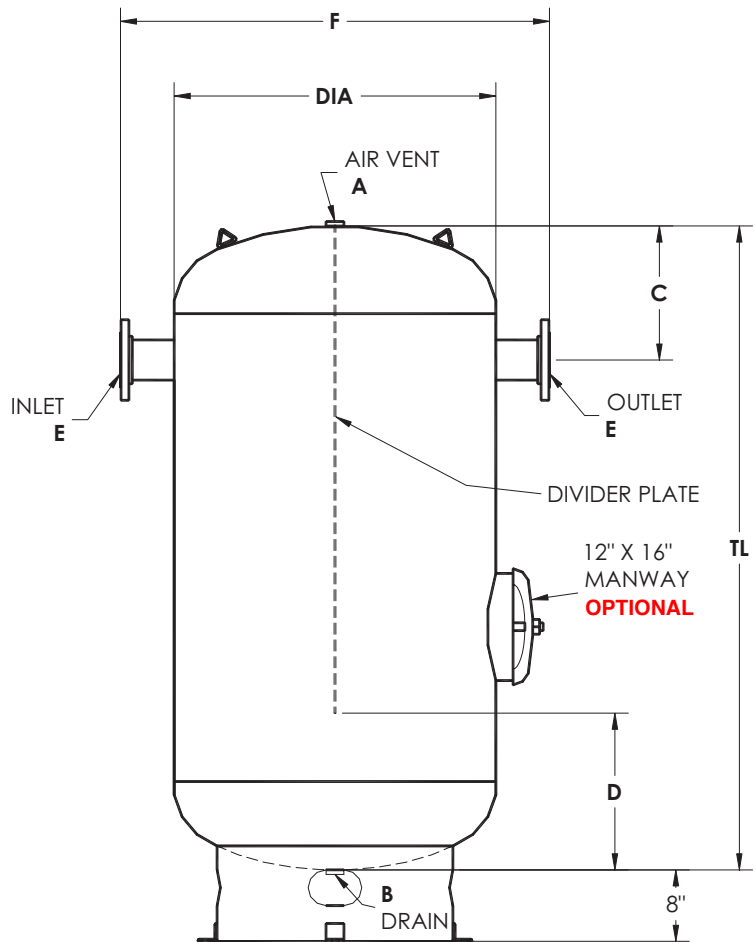
125/150 PSI WP * Please specify

Other Design Pressures Available

-Custom Sizes also Available

* Denotes Stock Units

OPENINGS E
1" NPT
1.5" NPT
2" NPT / GROOVE PIPE
2.5" NPT / GROOVE PIPE
3" NPT / GROOVE PIPE
4" FLANGE / GROOVE PIPE
6" FLANGE / GROOVE PIPE
8" FLANGE / GROOVE PIPE
10" FLANGE / GROOVE PIPE
12" FLANGE / GROOVE PIPE
14" FLANGE / GROOVE PIPE
16" FLANGE / GROOVE PIPE
18" FLANGE / GROOVE PIPE
20" FLANGE / GROOVE PIPE



PART#	VOLUME GALLONS	DIAMETER DIA	LENGTH TL	VENT A	DRAIN B	CENTER OF IN/ OUT DIMENSION C	D	E	F	WEIGHT
*CWT-120	120	24	60	1	3/4	12	20	3" Flange	34	300 lbs
*CWT-200	200	30	72	1	3/4	14	24	3" Flange	40	513 lbs
*CWT-300	300	36	72	1	3/4	16	24	4" Flange	46	617 lbs
CWT-500	500	42	90	1 1/2	3/4	18	30	Per Request	52	1239 lbs
CWT-680	680	48	96	1 1/2	3/4	20	32	Per Request	58	1507 lbs
CWT-850	850	54	96	1 1/2	3/4	22	32	Per Request	64	1777 lbs
CWT-1040	1040	60	96	1 1/2	3/4	24	32	Per Request	70	2358 lbs