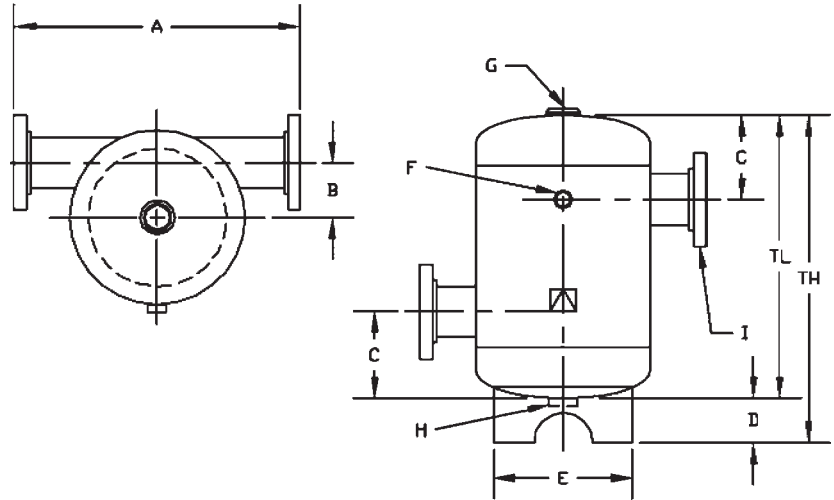




Air Separator Less Strainer



Description: Air Separator used for removal of entrained air in hydronic and pumping systems

Specifications:

- Built to ASME Code Section VIII
- Carbon Steel
- Basing Support
- 150 PSI Working Pressure (2" to 10" sizes only)
- Gray Primer
- System connections on ASL-020 & ASL-025 are male threaded pipe connections

Custom sizes, grooved connections, and finish available upon request.
CIA-075 Cast Iron Hi-Capacity Air Vent Available.

DESCRIPTION				DIMENSIONS (INCHES)					OPENINGS				
PART #	DIA	TL	TH	A	B	C	D	E	F	G	H	I	WT.
ASL-020	12	19 ½	22 ½	16 5/8	4 5/16	5 ½	3	9 ½	½	1 ¼	1	2 NPT	45
ASL-025	12	21	23 ½	16 5/8	4 1/16	6 ¼	2 ½	9 ½	½	1 ¼	1	2 ½ NPT	42
ASL-030	12	20 ½	23 ½	19 ¾	3 ¾	6 ¼	2 ½	9 ½	½	1 ¼	1	3 FLG	52
ASL-040	14	29	32	21 ¾	4 ¼	9 1/8	3	11 ½	½	1 ½	2	4 FLG	94
ASL-050	14	29	32	21 ¾	3 ¾	9 1/8	3	11 ½	½	1 ½	2	5 FLG	116
ASL-060	20	41	44	28	6 ¼	13 ¼	3	18	½	2	2	6 FLG	201
ASL-080	20	41	44	28	5 3/16	13 ¼	3	18	½	2	2	8 FLG	296
ASL-010	30	58	60 ½	41	9 1/8	19	2 ½	24	½	2	2	10 FLG	560