



# CARBON STEEL CHEMICAL BYPASS FEEDERS

By-Pass Feeders are a convenient method of introducing treatment chemicals into closed circulating water systems.

By-Pass Feeders are ideal for use in hot water treatment in heating systems or chill water air conditioning systems.

Industrial gray enamel finish paint.

## FLAT BOTTOM FEEDERS

### FB-200 SERIES

Model Number	Capacity (Gals)	A Inches	B Inches	C Inches	D Inches	1 Inches	2 Inches	Weight (Lbs)
FB1-200VA	1.0	15.750	6.000	2.500	10.250	0.750	0.750	16
FB2-200VA	2.0	27.250	6.000	3.500	19.250	0.750	0.750	19
FB2-200QW	2.0	21.120	12.500	3.250	6.000	NA	NA	19
FB5-200VA	5.0	29.500	10.000	4.250	20.120	0.750	0.750	32
FB5-200QW	5.0	21.120	10.625	4.250	10.000	NA	NA	33
FB10-200VA	10.0	42.875	10.000	4.000	33.750	0.750	0.750	49
FB12-200QW	12.0	41.750	31.000	4.120	10.000	NA	NA	58
FB18-200VA	18.0	64.875	10.000	8.500	58.750	0.750	0.750	66
FB18-200QW	18.0	60.625	44.000	8.500	10.000	NA	NA	79

## DOME BOTTOM FEEDERS

### DB-200 SERIES

Model Number	Capacity (Gals)	A Inches	B Inches	C Inches	D Inches	E Inches	4/5/6 Inches	Weight (Lbs)
DB1-200V	1.0	11.500	3.500	3.750	NA	6.000	0.750	17
DB2-200V	2.0	34.750	6.000	13.125	16.375	8.750	0.750	22
DB2-200Q	2.0	30.750	12.500	4.375	8.750	6.000	0.750	23
DB5-200V	5.0	35.125	10.000	13.500	16.375	7.750	0.750	36
DB5-200Q	5.0	30.500	10.625	5.875	7.750	10.000	0.750	37
DB10-200V	10.0	52.625	10.000	13.750	33.750	7.750	0.750	53
DB12-200Q	12.0	51.250	31.000	5.875	7.750	10.000	0.750	62
DB12-200V	12.0	55.625	10.000	13.625	36.750	7.750	0.750	62
DB18-200V	15.0	74.625	10.000	18.250	55.750	7.750	0.750	53
DB18-200Q	15.0	70.125	44.000	10.500	7.500	10.000	0.750	86

## ACCESSORIES

Model Number	DESCRIPTION	Weight (Lbs)
QCC	Quick closure cap only - replacement	2
PF-005	Pleated Filter 5 Micron (10" 5MCRN) 14-PE0510	1
PF-020	Pleated Filter 20 Micron (10" 20MCRN) 14-PE2010	1
PFWH-020	Pleated Filter 20 Micron With Hanger Assembly	5
SF-125	Sock filter with hanger assembly - 25 Micron	5
SF-125-Sock	Sock filter only - Replacement	0.05
SSBSKT	Stainless steel filterbasket Only - Replacement	1.5
FBK-QC-02	Filter Bag Kit Assembly For Quick Closure Units	5
FBK-QC-05	Filter Bag Kit Assembly For Quick Closure Units	5
FBK-QC-12	Filter Bag Kit Assembly For Quick Closure Units	6
FBK-QC-BAG	Replacement Filter Bag Only	0.5
FF-006-2011	6" High Fill Funnel with 3/4" MNPT Connection (.25 Liter)	6.5
FF-010-2011	10" High Fill Funnel with 3/4" MNPT Connection (.68 Liter)	8
CFVP-075	Ball Valves & Fittings Assemblies (see drwg) DB Series Valve Options	8
BV-125	* 1/4" nickel plated ball valve with victaulic unit only *	0.3

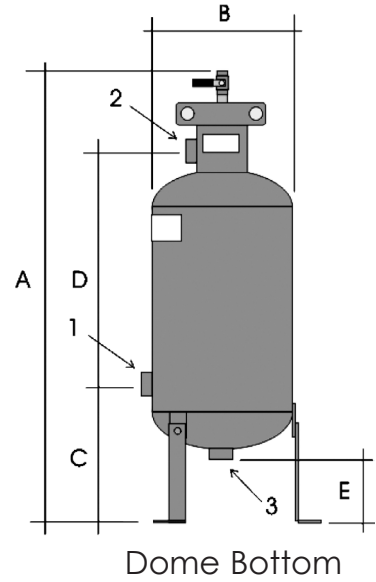
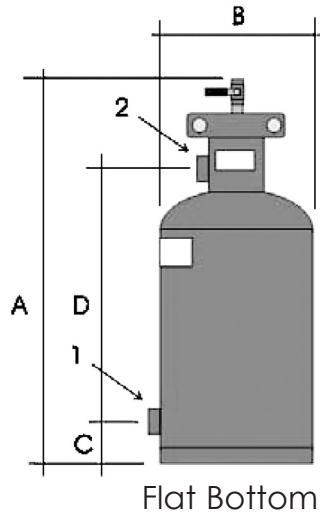
DIMENSIONS ARE SUBJECT TO CHANGE WITHOUT PRIOR NOTICE.

Max Working Pressure: 200 psi Quick Close Cap / 300 psi Victaulic Cap

Max Working Temperature: 375 F

# Victaulic Cap Units

Victaulic Cap Models Max Working Pressure - 300psi



# Quick Closure Units

Quick Close Cap Models Max Working Pressure - 200psi

