



# CARBON STEEL CHEMICAL BYPASS FEEDERS

By-Pass Feeders are a convenient method of introducing treatment chemicals into closed circulating water systems.

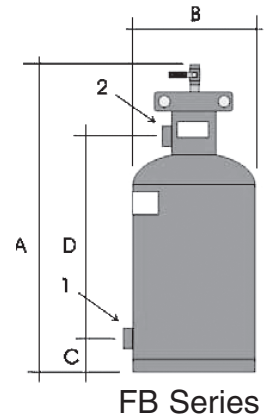
By-Pass Feeders are ideal for use in hot water treatment in heating systems or chill water air conditioning systems.

Industrial gray enamel finish paint.

## FLAT BOTTOM FEEDERS

### FB-200 SERIES

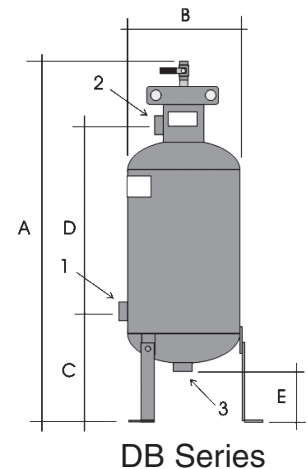
Model Number	Capacity (Gals)	A Inches	B Diameter	C Inches	D Inches	1 Inches	2 Inches	Weight (Lbs)
FB1-200	1.0	17.2	6.0	2.6	11.0	0.75	0.75	16
FB2-200	2.0	25.2	6.0	2.6	19.0	0.75	0.75	18
FB5-200	5.0	23.4	10.0	2.4	17.5	0.75	0.75	32
FB10-200	10.0	38.4	10.0	2.4	32.5	0.75	0.75	49



## DOME BOTTOM FEEDERS

### DB-300 SERIES

Model Number	Capacity (Gals)	A Inches	B Diameter	C Inches	D Inches	E Inches	1/2/3 Inches	Weight (Lbs)
DB1-300	1.0	24.8	6.0	10.3	11.0	6.0	0.75	17
DB2-300	2.0	32.8	6.0	10.3	19.0	6.0	0.75	22
DB5-300	5.0	30.8	10.0	9.70	17.5	4.9	0.75	36
DB10-300	10.0	45.8	10.0	9.70	32.5	4.9	0.75	53



## ACCESSORIES

Model Number	DESCRIPTION	Weight (Lbs)
VC-003	Victaulic Closure cap, gasket, and center plate with tap.	3
PF-020	Pleated Filter 20 Micron	1
PFWH-020	Pleated Filter 20 Micron With Hanger Assembly	5
FF-006	6" HIGH FILL FUNNEL WITH 3/4" MNPT CONNECTION (.25 LITER)	6.5
FF-010	10" HIGH FILL FUNNEL WITH 3/4" MNPT CONNECTION (.68 LITER)	8

**NOTE:** INLET/OUTLET FITTINGS ARE 3/4" NPT  
Weight and dimensions are approximate.

Flat Bottom Max. Working Pressure: 200 psi  
Dome Bottom Max. Working Pressure: 300 psi  
Max Working Temperature: 375°F  
All dimensions are +/- 1/8" and weights are approximate.