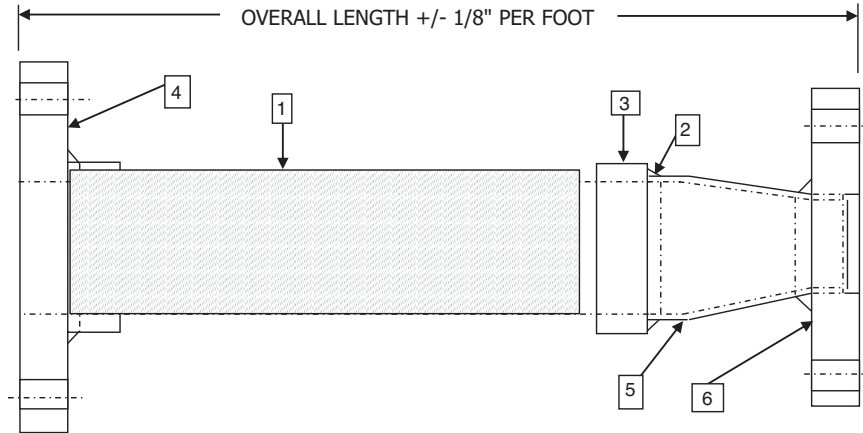




REDUCING FLEX CONNECTORS



MATERIALS:

#1 HOSE & BRAID: T-321 STAINLESS STEEL HOSE & 1 LAYER STAINLESS STEEL BRAID

#2 #3 BRAID COLLAR: STAINLESS STEEL HELI-ARC WELD/ MIG WELD
STAINLESS STEEL BRAID COLLAR

#4 #6 FITTINGS: 150# CARBON STEEL PLATE FLANGE-FLAT FACE
150# CARBON STEEL PLATE FLANGE-FLAT FACE REDUCED END

#5 REDUCER: SCH 40 CARBON STEEL CONCENTRIC WELD REDUCER

| ELBI MODEL NUMBER | EST. WEIGHT | DESCRIPTION | WRK PSI | @ TEMP | LATERAL OFFSET | LARGE END SIZE | SMALL END SIZE |
|-------------------|-------------|-------------------------------|---------|--------|----------------|----------------|----------------|
| RCFF1210 | 145 | 12"X10"X20" OAL REDUCER | 155 | 70° F | 3/16" | 12" | 10" |
| RCFF1008 | 90 | 10"X8"X18" OAL REDUCER | 165 | 70° F | 3/16" | 10" | 8" |
| RCFF1006 | 90 | 10"X6"X18" OAL REDUCER | 165 | 70° F | 3/16" | 10" | 6" |
| RCFF0806 | 67 | 8"X6"X18" OAL REDUCER | 217 | 70° F | 1/4" | 8" | 6" |
| RCFF0805 | 67 | 8"X5"X18" OAL REDUCER | 217 | 70° F | 1/4" | 8" | 5" |
| RCFF0804 | 65 | 8"X4"X18" OAL REDUCER | 217 | 70° F | 1/4" | 8" | 4" |
| RCFF0605 | 40 | 6"X5"X17" OAL REDUCER | 240 | 70° F | 3/8" | 6" | 5" |
| RCFF0604 | 40 | 6"X4"X17" OAL REDUCER | 240 | 70° F | 3/8" | 6" | 4" |
| RCFF0603 | 38 | 6"X3"X17" OAL REDUCER | 240 | 70° F | 3/8" | 6" | 3" |
| RCFF0504 | 25 | 5"X4"X16" OAL REDUCER | 210 | 70° F | 3/8" | 5" | 4" |
| RCFF0503 | 25 | 5"X3"X16" OAL REDUCER | 210 | 70° F | 3/8" | 5" | 3" |
| RCFF0525 | 23 | 5"X2-1/2"X16" OAL REDUCER | 210 | 70° F | 3/8" | 5" | 2-1/2" |
| RCFF0403 | 16 | 4"X3"X13" OAL REDUCER | 285 | 70° F | 3/8" | 4" | 3" |
| RCFF0425 | 16 | 4"X2-1/2"X13" OAL REDUCER | 285 | 70° F | 3/8" | 4" | 2-1/2" |
| RCFF0402 | 16 | 4"X2"X13" OAL REDUCER | 285 | 70° F | 3/8" | 4" | 2" |
| RCFF0325 | 15 | 3"X2-1/2"X13" OAL REDUCER | 450 | 70° F | 3/8" | 3" | 2-1/2" |
| RCFF0302 | 15 | 3"X2"X13" OAL REDUCER | 450 | 70° F | 3/8" | 3" | 2" |
| RCFF0315 | 15 | 3"X1-1/2"X13" OAL REDUCER | 450 | 70° F | 3/8" | 3" | 1-1/2" |
| RCFF2502 | 14 | 2-1/2"X2"X13" OAL REDUCER | 570 | 70° F | 3/8" | 2-1/2" | 2" |
| RCFF2512 | 14 | 2-1/2"X1-1/4"X13" OAL REDUCER | 570 | 70° F | 3/8" | 2-1/2" | 1-1/4" |
| RCFF2515 | 12 | 2-1/2"X1-1/2"X13" OAL REDUCER | 570 | 70° F | 3/8" | 2-1/2" | 1-1/2" |
| RCFF0212 | 12 | 2"X1-1/4"X13" OAL REDUCER | 570 | 70° F | 3/8" | 2" | 1-1/4" |

TEMPERATURE DERATING FACTORS: MULTIPLY X WRK PSIG

| | | | | | | | |
|--------|--------|--------|--------|--------|--------|--------|--------|
| 200° F | 250° F | 300° F | 350° F | 400° F | 500° F | 600° F | 700° F |
| 0.94 | 0.92 | 0.88 | 0.86 | 0.83 | 0.78 | 0.74 | 0.7 |

CUSTOMER:
PROJECT:
ENGINEER: