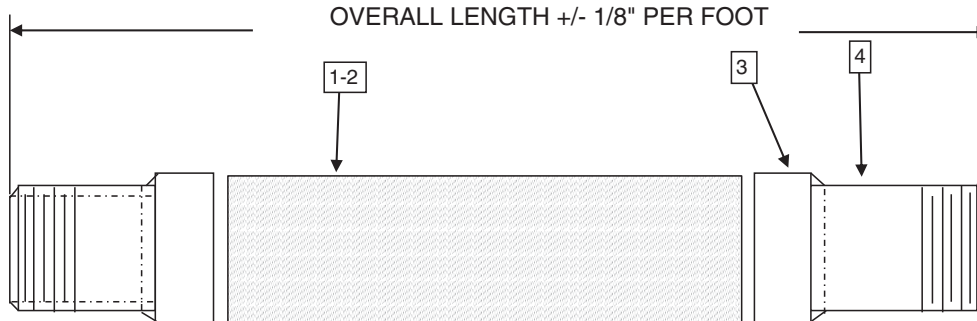




MMT FLEX CONNECTORS



MATERIALS:

#1-2 HOSE: STAINLESS STEEL HOSE WITH 1 LAYER OF STAINLESS BRAID

#3 BRAID COLLAR: T-304 STAINLESS STEEL

#4 MALE NPT: SCH.40 CARBON STEEL

ELBI MODEL NUMBER	EST. WEIGHT	SIZE	OVERALL LENGTH	MAX O.D.	WRK. PSIG	@ TEMP	MAX TEST	LATERAL OFFSET
EFC-025-MMT	1	1/4"	6"	.42"	2240	70° F	3360	1/16"
EFC-038-MMT	1	3/8"	10"	.62"	1100	70° F	1650	1/16"
EFC-050-MMT	1	1/2"	6-1/2"	.76"	796	70° F	1194	1/16"
EFC-075-MMT	1	3/4"	7"	1.03"	597	70° F	896	1/16"
EFC-100-MMT	1	1"	8"	1.32"	455	70° F	683	1/16"
EFC-125-MMT	1	1-1/4"	8-1/4"	1.63"	441	70° F	662	1/16"
EFC-150-MMT	2	1-1/2"	9"	1.91"	370	70° F	555	1/16"
EFC-200-MMT	2	2"	10-1/2"	2.46"	370	70° F	555	1/16"
EFC-250-MMT	5	2-1/2"	12"	3.1"	570	70° F	855	1/16"
EFC-300-MMT	8	3"	12"	3.86"	450	70° F	675	1/16"
EFC-400-MMT	10	4"	14"	4.95"	285	70° F	428	1/16"
EFC-500-MMT	18	5"	16"	6"	210	70° F	315	1/16"
EFC-600-MMT	22	6"	16"	7"	240	70° F	360	1/16"

TEMPERATURE DERATING FACTORS: MULTIPLY X WRK. PSIG

200° F	250° F	300° F	350° F	400° F	500° F	600° F	700° F
0.94	0.92	0.88	0.86	0.83	0.78	0.74	0.7

CUSTOMER:	
PROJECT:	
ENGINEER:	
PO#:	